



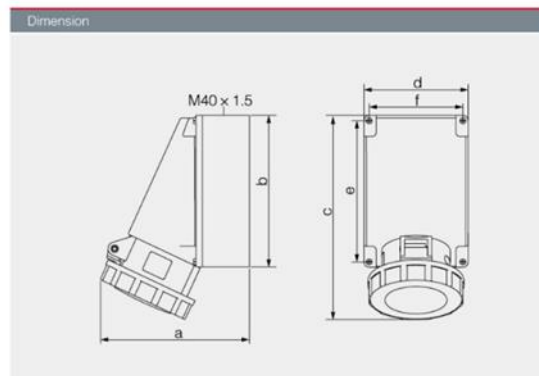
**Product Code**

**VP33526**



**63A 3P +E Angled Wall Socket IP67**

|   |
|---|
| ★ Rated current:63A   |
| ★ Rated voltage: 380-415V   |
| ★ No. of poles:3P +E  |
| ★ Protection degree: IP67   |
| ★ Housing material: Flame Retardant PA6 RoHS Reach<br>Contact: nickel-plated brass RoHS Reach |
| ★ Standards: IEC60309-1, IEC60309-2   |
| ★ Certificates: S,CB,CE,TUV,ISO9001:2008,RoHS,REACH   |



| Current Pole                 | 63A  |     |     | 125A  |     |     |
|------------------------------|------|-----|-----|-------|-----|-----|
|                              | 3    | 4   | 5   | 3     | 4   | 5   |
| a                            | 171  | 171 | 171 | 165   | 165 | 165 |
| b                            | 170  | 170 | 170 | 230   | 230 | 230 |
| c                            | 230  | 230 | 230 | 330   | 330 | 330 |
| d                            | 118  | 118 | 118 | 160   | 160 | 160 |
| e                            | 135  | 135 | 135 | 240   | 240 | 240 |
| f                            | 105  | 105 | 105 | 160   | 160 | 160 |
| Cable size(mm <sup>2</sup> ) | 6-25 |     |     | 25-70 |     |     |

